

RF Amplifier for Digital Servo CD System

KIA2122FN is a 3-beam type PUH and 1-beam type PUH compatible RF Amplifier for Digital Servo to be used in the CD system.

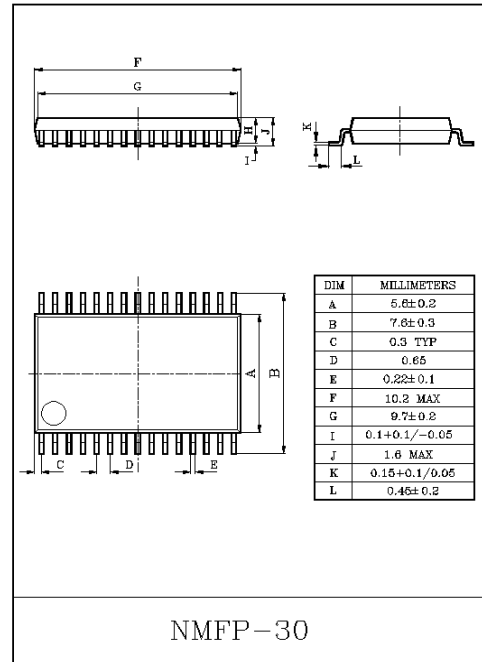
In combination with a CMOS single chip processor KIC9432AF, KIC9462F, a CD system can be composed very simply.

FEATURES

- Built-in amplifier for reference (V_{REF} , $2V_{REF}$) supply.
- Built in auto laser power control circuit.
- Built in RF amplifier.
- Built in focus error amp and tracking error amp.
- Built-in sub-beam adder signal amplifier.
- Capable of tracking balance control with KIC9432AF, KIC9462F.
- Capable of RF gain adjustment circuit with KIC9432AF, KIC9462F.
- Built in signal amplifier for track counter.
- Capable of 4 times speed operation.

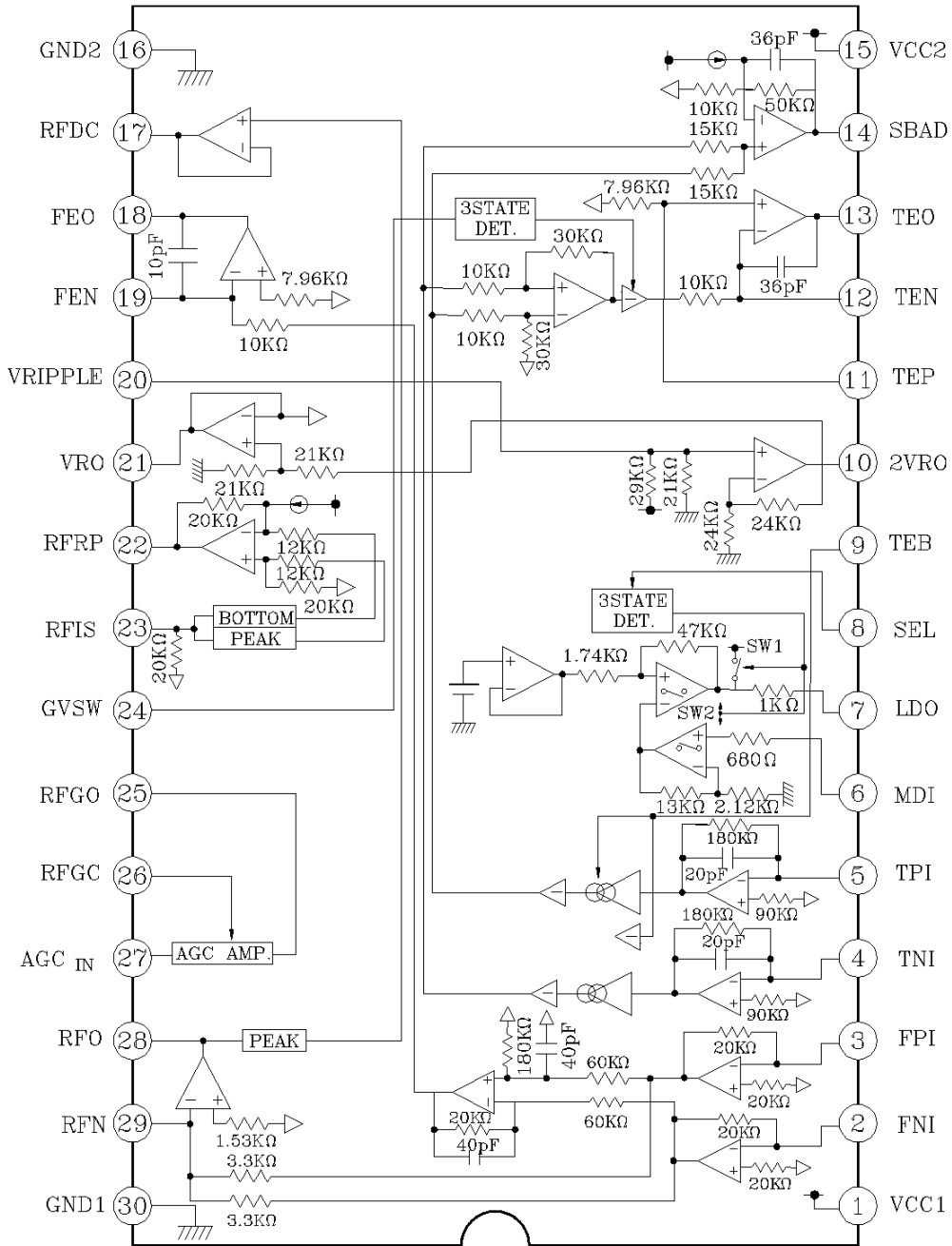
MAXIMUM RATINGS ($T_a=25^\circ\text{C}$)

CHARACTERISTIC	SYMBOL	RATING	UNIT
Power Supply Voltage	V_{CC}	8	V
Power Dissipation	P_D	500	mW
Operating Temperature	T_{opr}	-40~85	$^\circ\text{C}$
Storage Temperature	T_{stg}	-55~150	$^\circ\text{C}$



KIA2122FN

BLOCK DIAGRAM



SEL	LDC		
	SW1	SW2	SW3
GND	ON	OFF	OFF
Hiz	OFF	ON	ON
Vcc	OFF	ON	ON

GVSW	TE GAIN
GND	-3dB
Hiz	0dB
Vcc	+3dB

KIA2122FN

ELECTRICAL CHARACTERISTICS (Unless otherwise specified, $V_{CC}=5V$, $T_a=25^{\circ}C$)

AC CHARACTERISTICS

CHARACTERISTIC		SYMBOL	TEST CIRCUIT	TEST CONDITION	MIN.	TYP.	MAX.	UNIT
Power Supply	Assured Supply Voltage	V_{CC}	1		4.5	5.0	5.5	V
	Power Supply Voltage	I_{CC}	1	$SEL=V_{CC}$	18	23	30	mA
Reference Voltage : $2V_{REF}$	Reference Voltage	$2VR$	1		4.0	4.2	4.4	V
	Output Current	I_{OH2}	1	$\Delta=-0.1V$	3.0	-	-	mA
	Input Current	I_{OL2}	1	$\Delta=+0.1V$	0.1	-	-	mA
Reference Voltage : V_{REF}	Reference Voltage	VR	1		2.0	2.1	2.2	V
	Reference Voltage Limit	ΔVR	1	$2 \times VR / 2VR - 1$	-3.0	0.0	+3.0	%
	Output Current	I_{OH1}	1	$\Delta=-0.1V$	5.0	-	-	mA
	Input Current	I_{OL1}	1	$\Delta=+0.1V$	5.0	-	-	mA
RF1 FPI(FNI) →RFO	Transfer Resistance	R_T	1	$f=100kHz, R_{NF}=22k\Omega$	12.0	13.3	14.6	$k\Omega$
	Frequency Characteristic	f_c	1	-32dB point	-	5.0	-	MHz
	Output Slew Rate	SR	1	$C_{RFO}=20pF$	10	20	-	$V/\mu S$
	Noise/Distortion Rate	THD	1	$f=100kHz, V_{RFO}=1.2V_{D-P}$	-	-40	-	dB
	Upper Limit Output Voltage	V_{OH}	1	GND reference	3.6	-	-	V
	Lower Limit Output Voltage	V_{OL}	1	GND reference	-	-	0.7	V
	Permissive Load Resistance	R_{LM}	1	-	10	-	-	$k\Omega$
RFDC	Detection Frequency Characteristic	f_c	-	-	-	40	-	kHz
	Permissive Load Resistance	R_{LM}	-	-	-	-	-	$k\Omega$
RF2(AGC) RFO →RFGO	Voltage Gain	ΔG_V	1	$f=100Hz, V_{RFGC}=0 \sim 42V$	-	12	-	dB
	Frequency Characteristic	f_c	1	-3dB point, $V_{RFGC}=2.1V$	-	5.0	-	MHz
	Output Slew Rate	SR	1	$C_{RFGO}=20pF$	10	20	-	$V/\mu S$
	Upper Limit Output Voltage	V_{OH}	1	GND reference	3.6	-	-	V
	Lower Limit Output Voltage	V_{OL}	1	GND reference	-	-	0.7	V
	Noise/Distortion Rate	THD	1	$f=100kHz, V_{RFGO}=1.2V_{D-P}$	-	-40	-	dB
	Permissive Load Resistance	R_{LM}	1	-	10	-	-	$k\Omega$
APC MDI →LDO	Gain Voltage	G_V	1	$f=1kHz$	-	200	-	V/V
	Operation Reference Voltage	V_{MDI}	1	$V_{LDO}=3.5V_{DC}$	170	178	192	mV
	LD Off Voltage	V_{LDOP}	1	LDC=L, V_{CC} reference, SEL=L	-0.7	-	-	V
	Input Vias Current	I_L	1	$V_{MDI}=178mV$	-200	-	+200	nA

KIA2122FN

CHARACTERISTIC		SYMBOL	TEST CIRCUIT	TEST CONDITION	MIN.	TYP.	MAX.	UNIT
FE FPI(FNI) →FEO	Transfer Resistance	R _T	-	f=1kHz, R _{NF} =39kΩ	210	234	257	kΩ
	Gain Balance	GB	-		-1.0	-	+1.0	dB
	Frequency Characteristic	f _c	-	-3dB point	-	22	-	kHz
	Output Offset Voltage	V _{OS}	-	FPI/FNI input open, VR reference	-50	-	+50	mV
	Noise/Distortion Rate	THD	-	f=1kHz, V _{FEO} =2.4V _{D-P}	-	-40	-	dB
	Upper Limit Output Voltage	V _{OH}	-	GND reference	3.8	-	-	V
	Lower Limit Output Voltage	V _{OL}	-	GND reference	-	-	0.5	V
	Permissive Load Resistance	R _{LM}	-	-	10	-	-	kΩ
TE TPI(TN1) →TEO	Transfer Resistance 1	R _{T1}	-	f=1kHz, R _{NF} =33kΩ GVSW=GND	1.03	1.29	1.55	MΩ
	Transfer Resistance 2	R _{T2}	-	f=1kHz, R _{NF} =33kΩ GVSW=HiZ	1.42	1.78	2.14	
	Transfer Resistance 3	R _{T3}	-	f=1kHz, R _{NF} =33kΩ GVSW=V _{CC}	1.96	2.46	2.95	
	Transfer Resistance Range	ΔR _T	-	TEB=VR reference, GVSW=HiZ, TN1 input TEB=GND TEB=2VR				
	Max. Transfer Resistance				40	45	50	%
	Max. Transfer Resistance				-50	-45	-40	%
	Gain Balance	GB	-	TEB=VR	-1.0	-	+1.0	dB
	Frequency Characteristic	f _c	-	-3dB point, R _{NF} =33kΩ	-	44	-	kHz
	Output Offset Voltage	V _{OS}	-	VR reference, input open	-100	-	+100	mV
	Noise/Distortion Rate	THD	-	f=1kHz, V _{TEO} =2.0V _{D-P}	-	-40	-	dB
Upper Limit Output Voltage	V _{OH}	-	GND reference	38	-	-	V	
Lower Limit Output Voltage	V _{OL}	-	GND reference	-	-	0.5	V	
Permissive Load Resistance	R _{LM}	-	-	10	-	-	kΩ	
SBAD TPI(TN1) →SBAD	Transfer Resistance	R _T	-	f=1kHz, TEB=VR	432	540	648	kΩ
	Frequency Characteristic	f _c	-	-3dB point	-	44	-	kHz
	Noise/Distortion Rate	THD	-	f=1kHz, V _{SBAD} =1.5V _{P-P}	-	-40	-	dB
	Operation Reference Voltage	V _{OPR}	-	VR reference, RT1=180kΩ	-1.1	-1.0	-0.9	V
	Upper Limit Output Voltage	V _{OH}	-	GND reference	3.8	-	-	V
	Permissive Load Resistance	R _{LM}	-		10	-	-	kΩ
RFRP RFRPIN →LDO	Gain Voltage	G _V	-		-	1.67	-	V/V
	Detection Frequency Characteristic	f _c	-	SEL=V _{CC}	-	100	-	kHz
	Operation Reference Voltage 1	V _{OPR1}	-	VR reference, No signal	-1.1	-1.0	-0.9	V
	Operation Reference Voltage 2	V _{OPR2}	-	VR reference, 700kHz, 1.2V _{P-P}	0.65	0.75	0.85	V
	Permissive Load Resistance	R _{LM}	-		10	-	-	kΩ

KIA2122FN

PIN FUNCTION

PIN No.	SYMBOL	I/O	FUNCTIONAL DESCRIPTION	REMARK
1	VCC1	-	Power supply input terminal	-
2	FNI	I	Main beam I-V amp input terminal	Connected to pin diode A, C
3	FPI	I	Main beam I-V amp input terminal	Connected to pin diode B, D
4	TNI	I	Sub beam I-V amp input terminal	Connected to pin diode E
5	TPI	I	Sub beam I-V amp input terminal	Connected to pin diode F
6	NDI	I	Monitor photo diode amp input terminal	Connected to monitor photo diode
7	LDO	O	Laser diode amp output terminal	Connected to laser control circuit.
8	SEL	I	Laser diode control signal input terminal and APC circuit ON/OFF control signal input terminal.	3 Signal input (V _{CC} , Hi-Z, GND)
9	TEB	I	Tracking error balance adjustment signal input terminal controlled by 3 PWM signal (PWM carrier=88.2kHz)	3 Signal input (2V _{REF} , VR, GND)
10	2VRO	O	Reference voltage(2V _{REF}) output terminal 2V _{REF} =4.2V when V _{CC} =5V	-
11	TEP	I	TE amp positive input terminal	-
12	TEN	I	TE amp negative input terminal	Connected to TEO through feedback register
13	TEO	O	TE error signal output terminal	-
14	SBAD	O	Sub beam adder signal output terminal	-
15	V _{CC2}	-	Power supply input terminal	-
16	GND2	-	Ground terminal	-
17	RFDC	O	RF signal peak detect output terminal	-
18	FEO	O	Focus error signal output terminal	-
19	FEN	I	FE amp negative input terminal	Connected to FEO through feedback register
20	VRIPPLE	O	Reference voltage (2V _{REF}) filter capacitor connecting terminal	-
21	VRO	O	Reference voltage (V _{REF}) output terminal V _{REF} =2.1V when V _{CC} =5V.	-
22	RFRP	O	Track count signal output terminal	-
23	RFIS	I	RFRP detect circuit input terminal	Connected to RFO through condenser
24	GVSW	I	TE amp gain control signal input terminal	3 signal input (V _{CC} , Hi-Z, GND)
25	RFGO	O	RF gain signal output terminal	-
26	RFGC	I	RF amplitude adjustment control signal input terminal. Controlled by 3 PWM signal (PWM carrier=88.2kHz)	Input range : VR±2.1V
27	AGCI	I	RF Signal amplitude adjustment amp input terminal.	Connected to RFO through condenser
28	RFO	O	RF signal output terminal.	-
29	RFN	I	RF amp negative input terminal	-
30	GND1	-	Ground terminal	-